



Sink - IMO

Lavatory spout, wall-mounted without drain - polished chrome

Article number: 13 800 670-00 0010



- 6-3/4" Projection
- Rigid spout
- Rectangular aerated stream
- 1-5/8" hole diameter
- Flange 2-3/8" x 2-3/8"
- 1/2" connection
- Water flow rate limited to max. 1.2 gpm
- lead-free

Codes & Standards

- NSF/ANSI 372
- California Energy Commission (CEC)
- ASME A112.18.1/CSA B125.1
- NSF/ANSI/CAN 61

- For Touchfree control please order eSet Touchfree WITH or WITHOUT temperature adjustment



polished chrome

Accessory is required for this item.

Discontinued items available to order until 31.12.9999



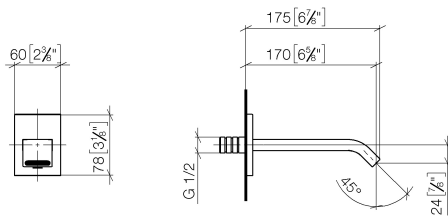
Sink - IMO

Lavatory spout, wall-mounted without drain - polished chrome

Article number: 13 800 670-00 0010

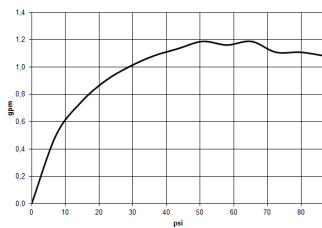
Dimensional drawing

mm [inches]



All dimensions in mm / inch = mm x 0,0394

Flow rate chart





Sink - IMO

Lavatory spout, wall-mounted without drain - polished chrome

Article number: 13 800 670-00 0010

Other surface finishes



chrome matte

13 800 670-93 0010

More custom finish options are available via special production (xTra Service). Please see our finish matrix for availability and pricing or contact a Dornbracht representative.



35 080 970-90 0010

Rough-in adapter -

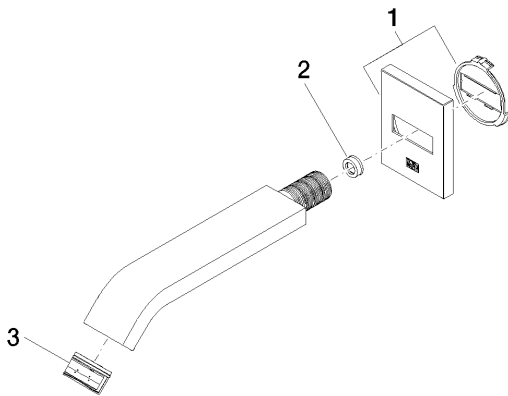


Sink - IMO

Lavatory spout, wall-mounted without drain - polished chrome

Article number: 13 800 670-00 0010

Spare parts list



Number	Item Number	Designation	Number of units
1	90 27 67 017 00-00	rosette	1
2	09 23 01 079 90	flow reducer	1
3	90 29 03 118 00 90	aerator	1